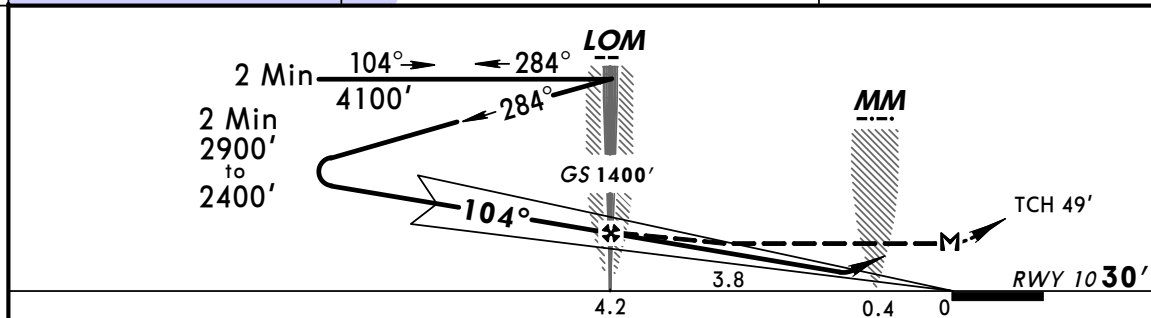
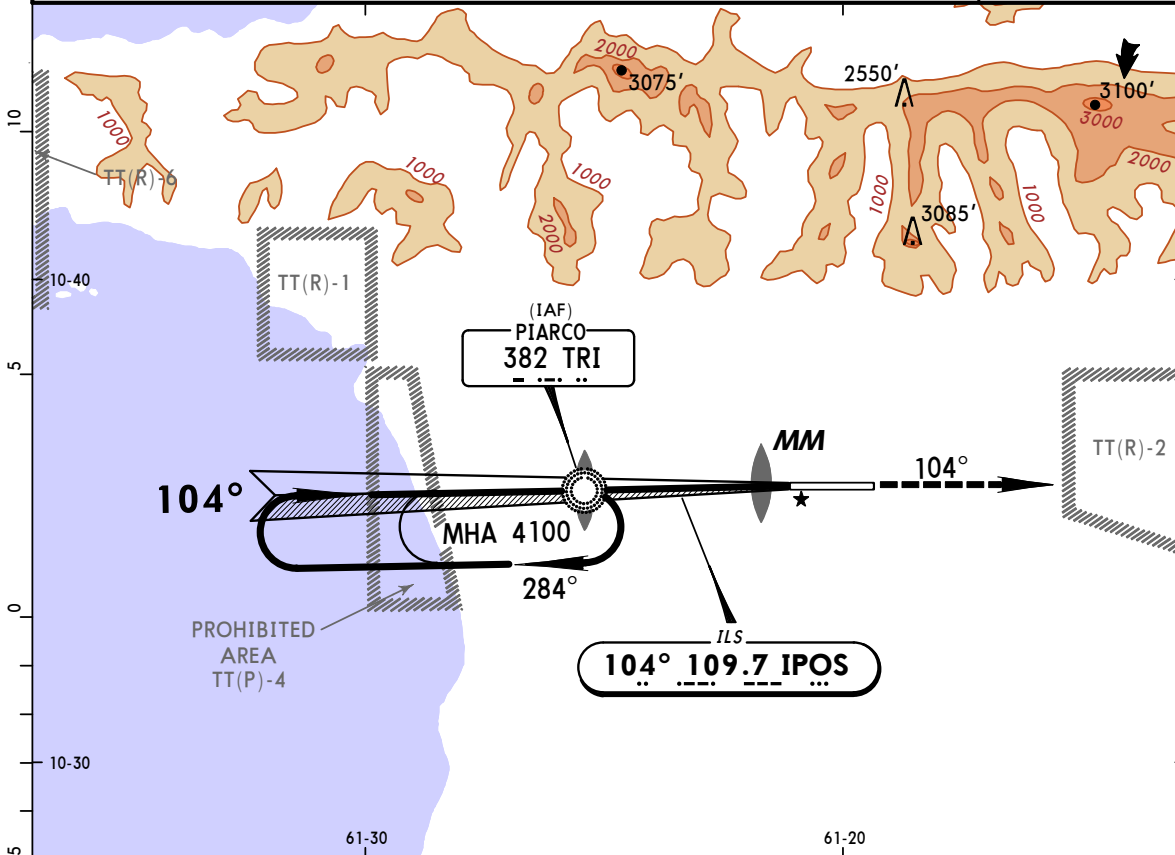


TTPP/POS
PIARCO INTL

JEPPESEN PORT OF SPAIN, TRINIDAD
13 NOV 09 **(11-2)**

NDB ILS Rwy 10

ATIS 126.7		PIARCO Approach 119.0		PIARCO Tower 118.1		Ground 121.9
LOC IPOS 109.7	Final Apch Crs 104°	GS LOM 1400' (1370')	ILS DA(H) 265' (235')	Apt Elev 58'	RWY 10 30'	
MISSED APCH: Climb to 4100' on 104°, RIGHT turn to TRI LOM or as directed by ATC.						
Alt Set: hPa		Rwy Elev: 1 hPa		Trans level: FL 55		
						MSA TRI LOM



Gnd speed-Kts	70	90	100	120	140	160		4100' on 104°		TRI 382
GS	3.00°	377	484	538	646	753				
LOM to MAP	4.2	3:36	2:48	2:31	2:06	1:48	1:34			

STRAIGHT-IN LANDING RWY10			
ILS DA(H) 265' (235')		LOC (GS out) MDA(H) 530' (500')	
FULL		ALS out	
ALS out		ALS out	
A	1 NM		1 1/2 NM
B			
C			
D			

PANS OPS